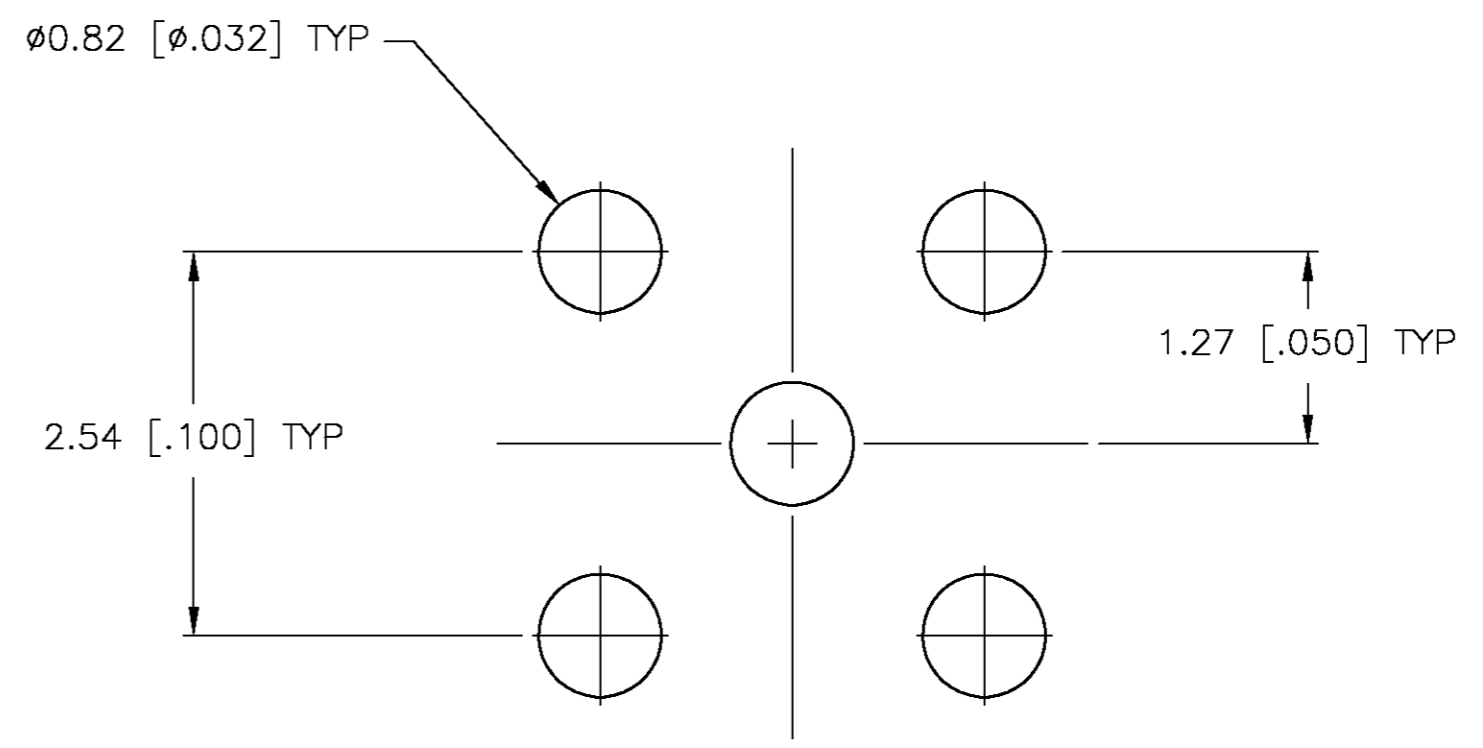
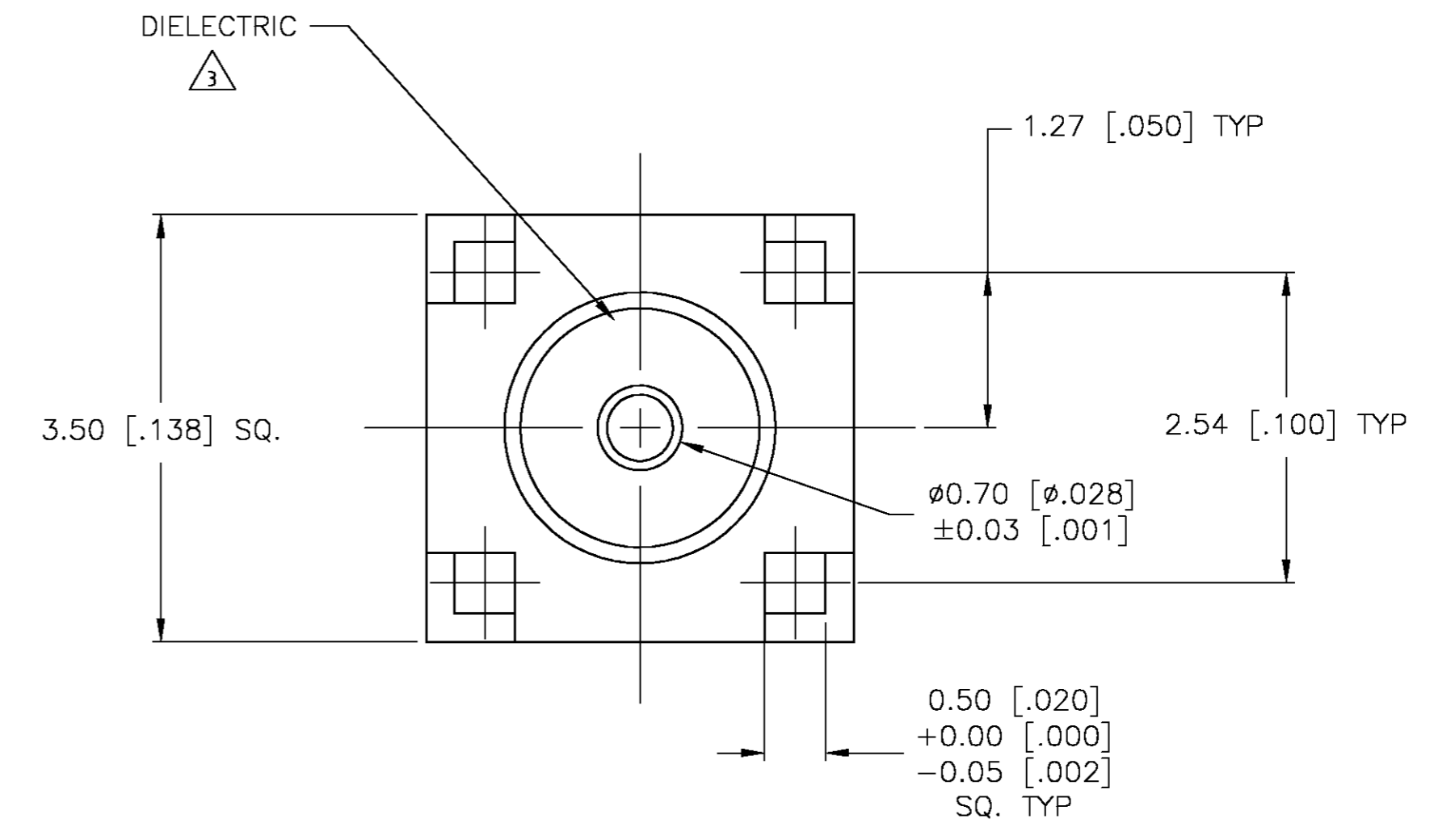
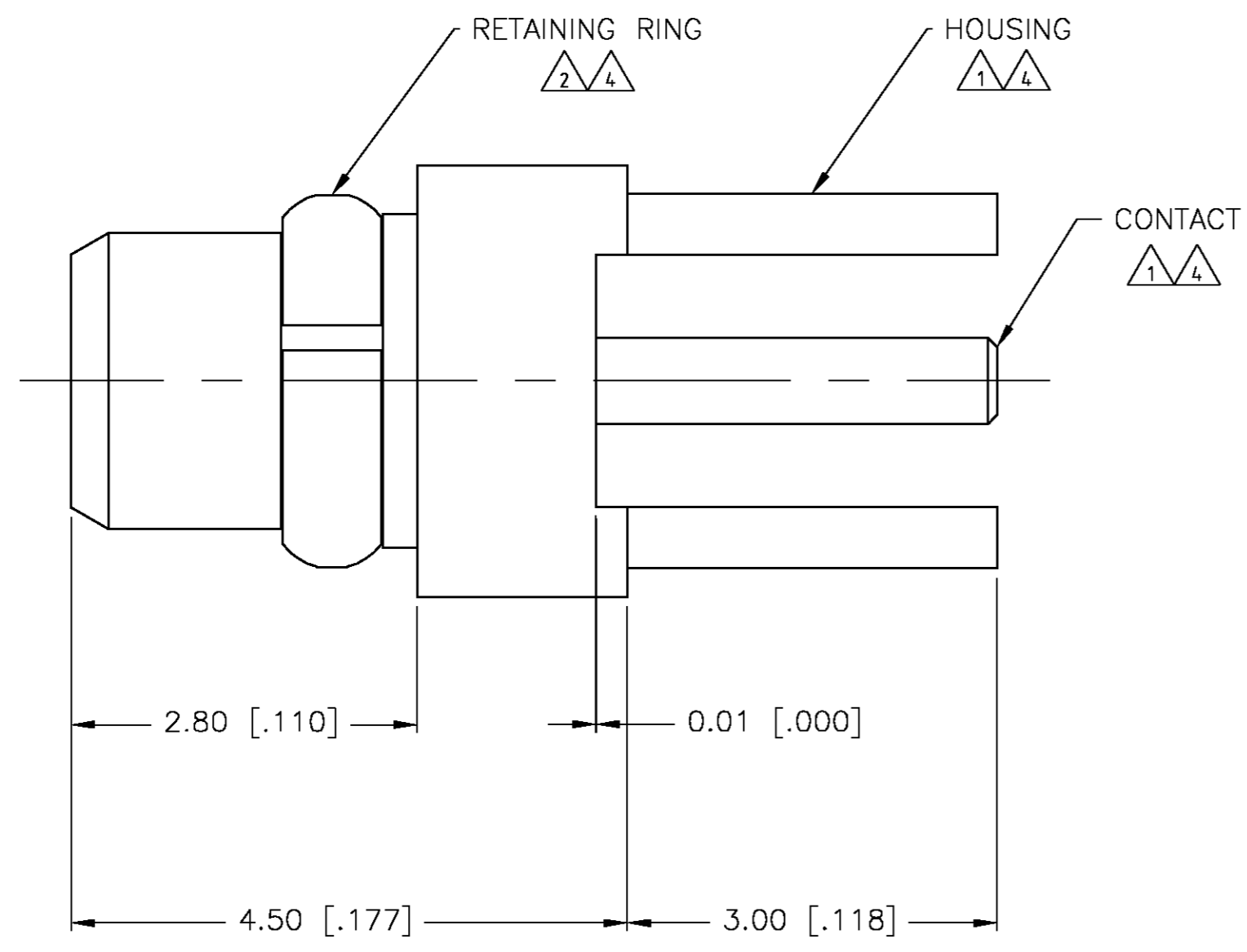


THIS DRAWING IS UNPUBLISHED. RELEASED FOR PUBLICATION
 © COPYRIGHT BY TYCO ELECTRONICS CORPORATION. ALL RIGHTS RESERVED.

Loc		DIST		REVISIONS			
P	LTR	DESCRIPTION	DATE	DWN	APVD		
AJ	-	B	REV PER 0514-0199-04	30APR04	KW	KW	



RECOMMENDED PCB LAYOUT
 TOLERANCE ±0.08 [.003]

- 1 BRASS PER ASTM-B-16
- 2 BERYLLIUM COPPER PER ASTM-B-196
- 3 PTFE PER ASTM-D-1710
- 4 GOLD PLATE PER ASTM-B488
- 5. PRODUCT HAS NOT COMPLETED QUALIFICATION TESTING.

1408496-1
 PART NUMBER

THIS DRAWING IS A CONTROLLED DOCUMENT.		DWN K. WEIDNER 17JUN03	Tyco Electronics Corporation Middletown, PA 17057	
DIMENSIONS: mm [INCHES]		CHK K. WEIDNER 05APR04		
TOLERANCES UNLESS OTHERWISE SPECIFIED:		APVD K. WEIDNER 05APR04	NAME MMCX STRAIGHT PCB PLUG	
0 PLC ± - 1 PLC ± 0.26 [.010] 2 PLC ± 0.13 [.005] 3 PLC ± - 4 PLC ± - ANGLES ± 1°		PRODUCT SPEC 108-2084	SIZE A2	CAGE CODE 00779
MATERIAL -		FINISH -	DRAWING NO C=1408496	RESTRICTED TO -
		WEIGHT -	SCALE 20:1	SHEET 1 OF 1
		CUSTOMER DRAWING	REV B	

1408496